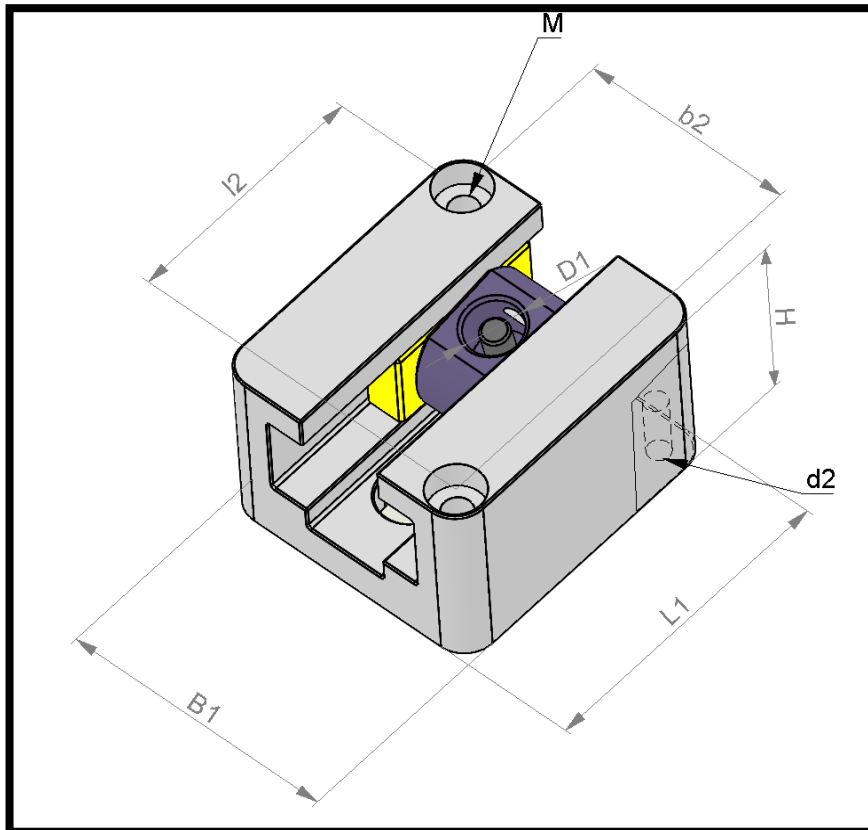




XTREME PROGEAR



Part	D1	L1	B1	H	l_2	b_2	M	d_2	Material 1	Material 2
KKPHF-8-45	8	45	40	28	36	31	M4	M4	1.2363 \approx 60 HRC	CR12MOV
KKPHF-8-60	8	60	40	28	51	31	M4	M4	1.2363 \approx 60 HRC	CR12MOV
KKPHF-10-60	10	60	46	32	49	35	M5	M5	1.2363 \approx 60 HRC	CR12MOV
KKPHF-10-75	10	75	46	32	64	35	M5	M5	1.2363 \approx 60 HRC	CR12MOV
KKPHF-12-65	12	65	52	36	53	40	M6	M6	1.2363 \approx 60 HRC	CR12MOV
KKPHF-12-80	12	80	52	36	68	40	M6	M6	1.2363 \approx 60 HRC	CR12MOV